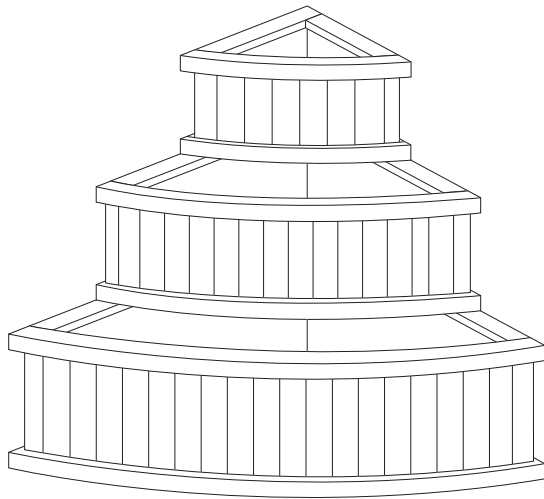


Marberry Corner Cascade Planter English SS300

Help Line (Normal Office Hours) 01829 261 121

Assembly Instructions



Before assembly

- We recommend that time is taken to read the instructions before starting assembly, then follow the easy step by step guide. The instruction sheet is only a guide to the assembly. Certain items may not be shown to scale.
- Check all components prior to assembly
- This product should be assembled by no less than two people.

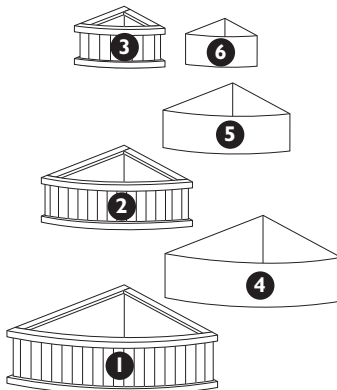


Recommended tools for assembly

- crosshead screwdriver
- Hammer

No.	Components	Qty.
1	Base planter	1
2	Middle planter	1
3	Top planter	1
4	base planter liner	1
5	Middle planter liner	1
6	Top planter liner	1

No.	Fixing Kit	Qty.
7	60mm screw	8
8	15mm tacks	30

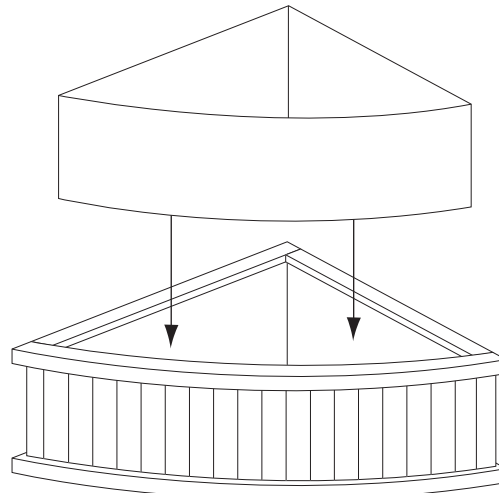


Fitting the liners

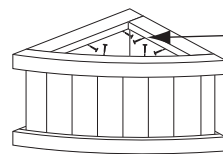
Open out the liners and place each liner in the corresponding size planter. Tack round the inside edge to hold liner in place using 6 x 15mm tacks around inside of the top planter, 9 x 15mm tacks around inside of the middle planter and 15 x 15mm tacks around inside of the base planter.

Note:

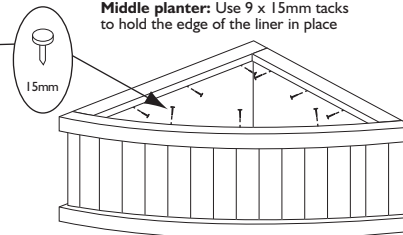
Tacks are only need around the top edge to hold the liner in place as once filled with soil at the end of full assembly the soil will keep the liner in position.



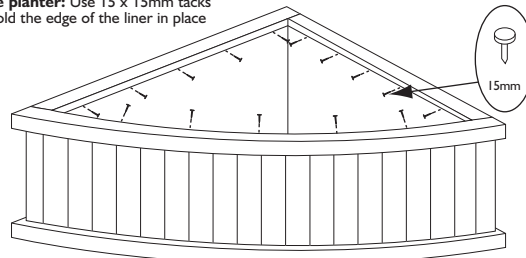
Top planter: Use 6 x 15mm tacks to hold the edge of the liner in place



Middle planter: Use 9 x 15mm tacks to hold the edge of the liner in place



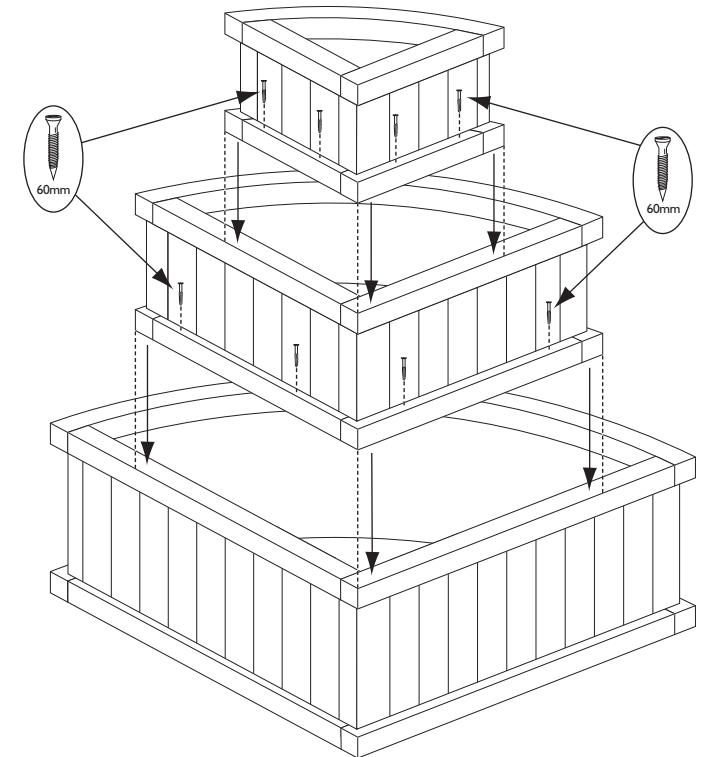
Base planter: Use 15 x 15mm tacks to hold the edge of the liner in place



Securing the planters together

Place the middle planter on top of the base planter, align the back edges of the two planters and secure through the pre-drilled holes in the middle planter into the base planter using 4 x 60mm screws.

Place the top planter onto the mid planter align the back edges of the two planters and secure through the pre-drilled holes in the top planter into the middle planter using 4 x 60mm screws.



We constantly improve the quality of our products, occasionally the components may differ from the components shown and are only correct at time of printing. We reserve the right to change the specification of our products without prior notice.

2013 © Rowlinson Garden Products Ltd